

OPERATION WHEN DIRECTLY CONNECTED TO CHIMNEY	Cupola	Hot air exchanger
Tested according to	EN 13229	EN 13229
Nominal heat power	8 kW	13 kW
Efficiency	> 80 %	> 80 %
Consumption of wood	2,4 kg/h	3,7 kg/h
Mass flow of flue gas	–	11,4 g/s
Average flue gas temperature on the output	–	272 °C
Heat distribution		
fireplace insert	57–68 %	57–68 %
door glass (single / double)	43 / 32 %	43 / 32 %
Required chimney pressure	12 Pa	12 Pa
Required amount of combustion air	30 m ³ /h	40 m ³ /h
Minimum supply air grating cross-section	900 cm ²	1 200 cm ²
Minimum outgoing air grating cross-section	1 050 cm ²	1 400 cm ²

OPERATION WITH CONNECTED ACCUMULATION MASS	Cupola	Adaptor
Load of wood	5,5 kg	–
Total heat output of the burning chamber	22 kW	–
Mass flow of flue gas	–	–
Average flue gas temperature on the output ¹⁾	–	–
past 3,6 m of ceramic accumulation system KMS 300 ²⁾	–	–
past 5 pcs of accumulation rings KAM + termination ring	–	–
Heat distribution		
fireplace insert	–	–
door glass (single / double)	–	–
adjoining accumulation mass	–	–
Required chimney pressure	12 Pa	12 Pa
Minimum radiant area ³⁾	ca. 5 m ²	–
Required amount of combustion air	60 m ³ /h	–

GENERAL TECHNICAL INFORMATION	
Combustion air connection	Ø 150 mm
Total weight / lining weight	ca. 357 / 93 kg
Use in non-ventilated accumulation builds according to craft rules	suitable
Meets values	BImSchV (Stufe2), 15a BVG

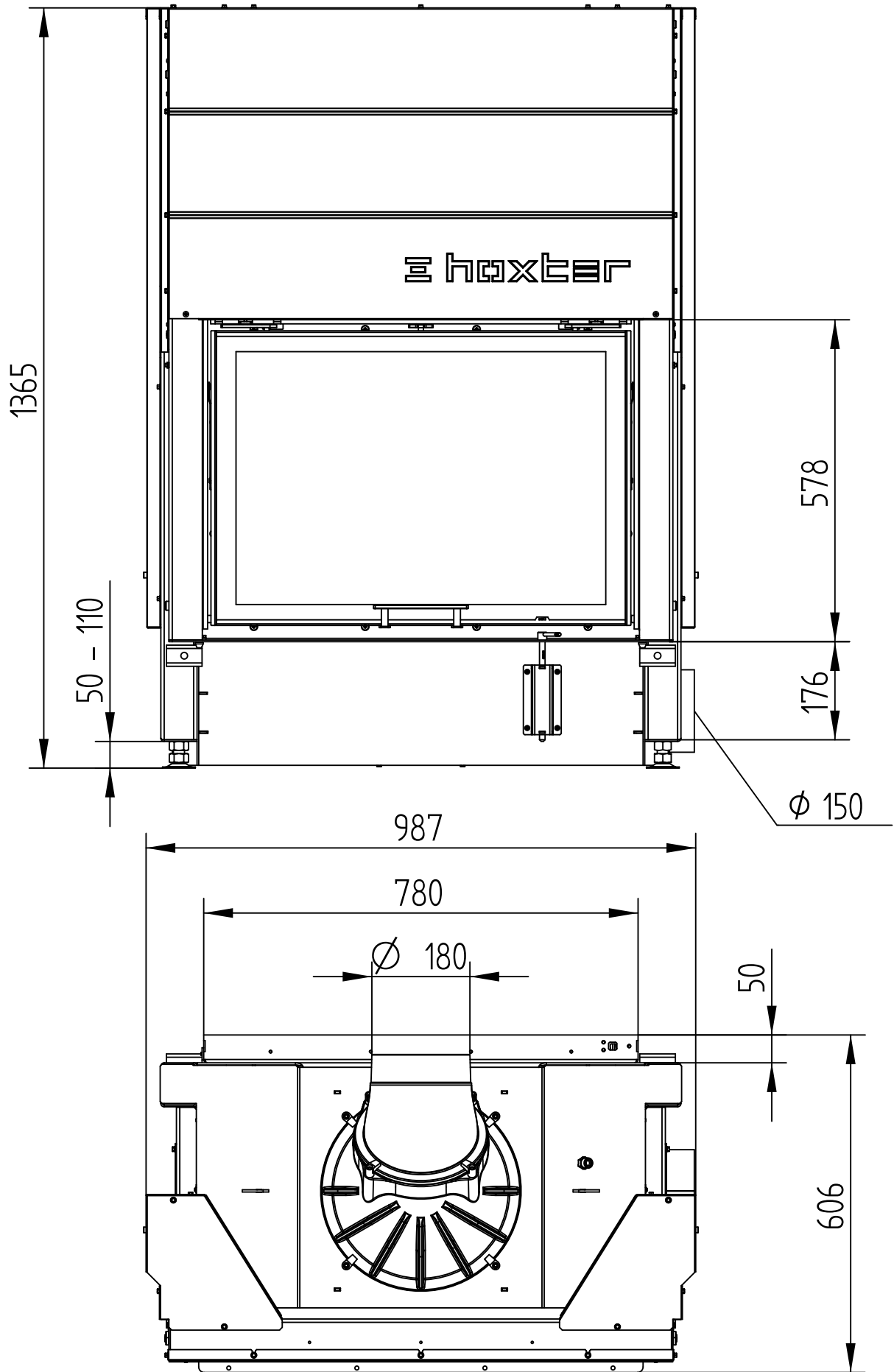
- 1) The Hoxter products are available in the Austrian stove-calculation program for evaluation of firebrick accumulation systems.
- 2) Only a sample calculation! For accurate results is evaluation of each system in the KMS-calculation program from the Ortner company necessary.
- 3) Depends on accumulation period and material characteristics and its thickness. Calculated with heat emission of the radiant area ca. 500 W/m².hr

HAKA 78/57Th

Technical data
Version 01/2017

WITH CUPOLA

M 1 : 10

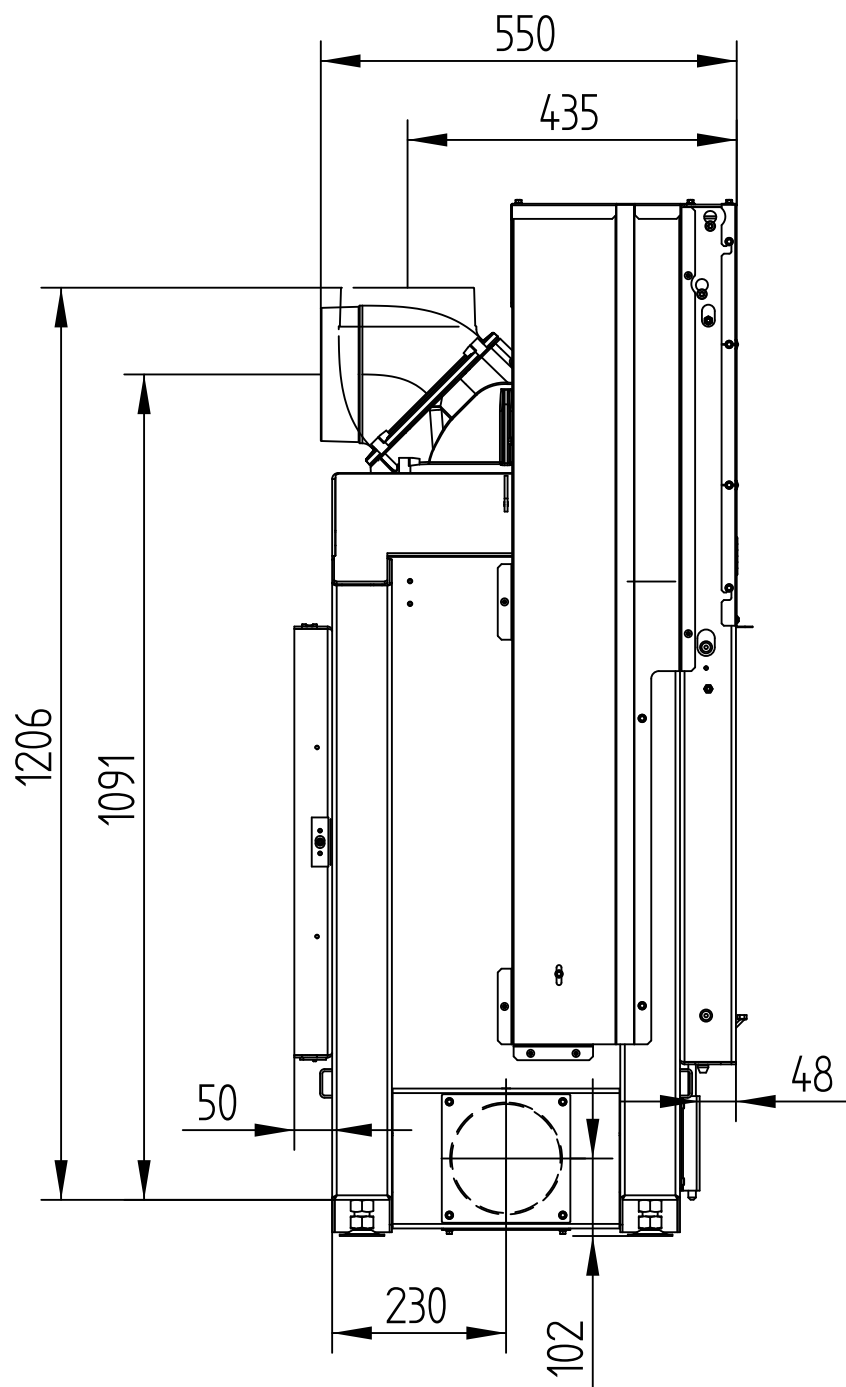


HAKA 78/57Th

WITH CUPOLA

Technical data
Version 01/2017

M 1 : 10

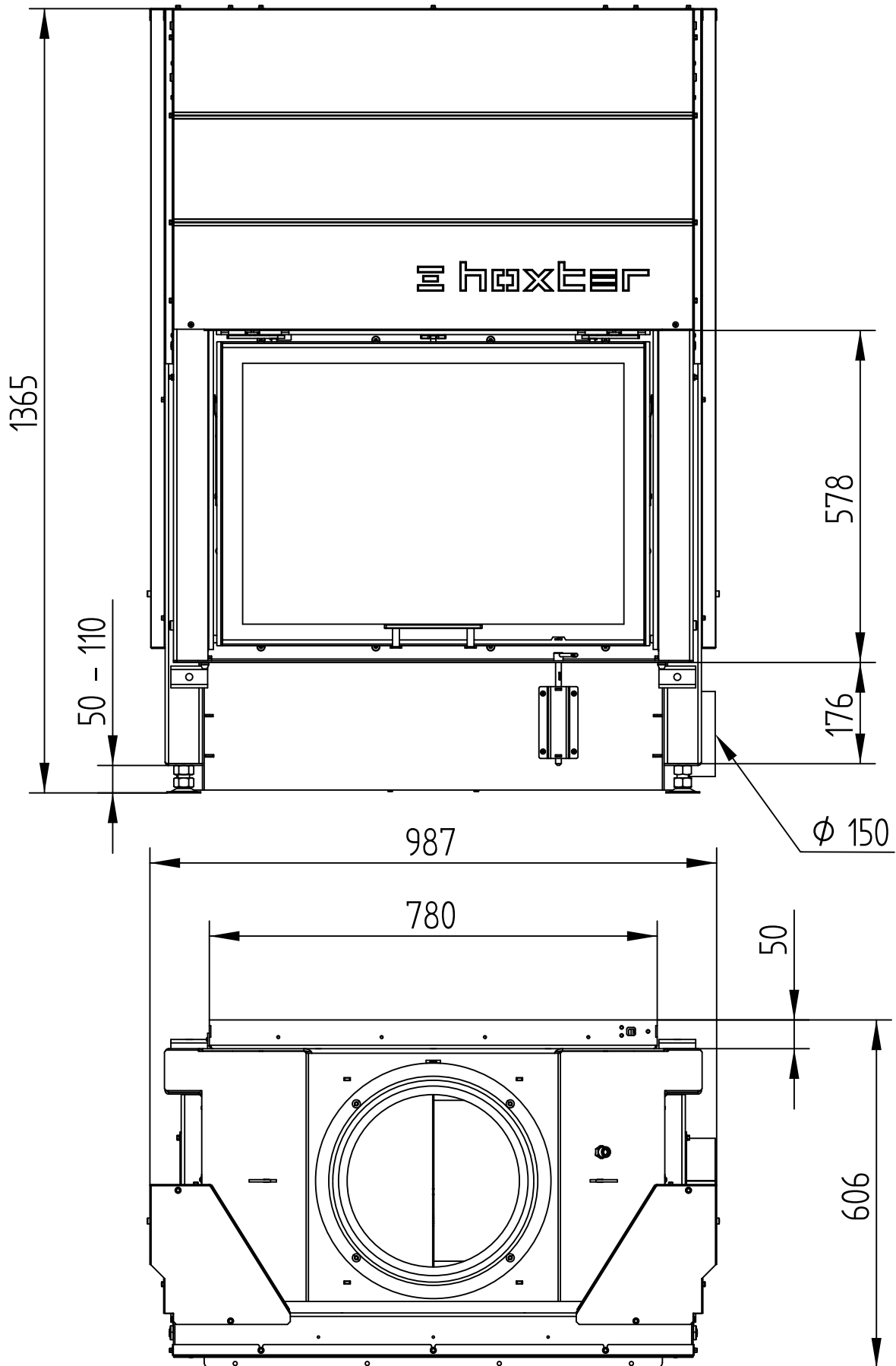


HAKA 78/57Th

Technical data
Version 01/2017

WITH ADAPTOR

M 1 : 10

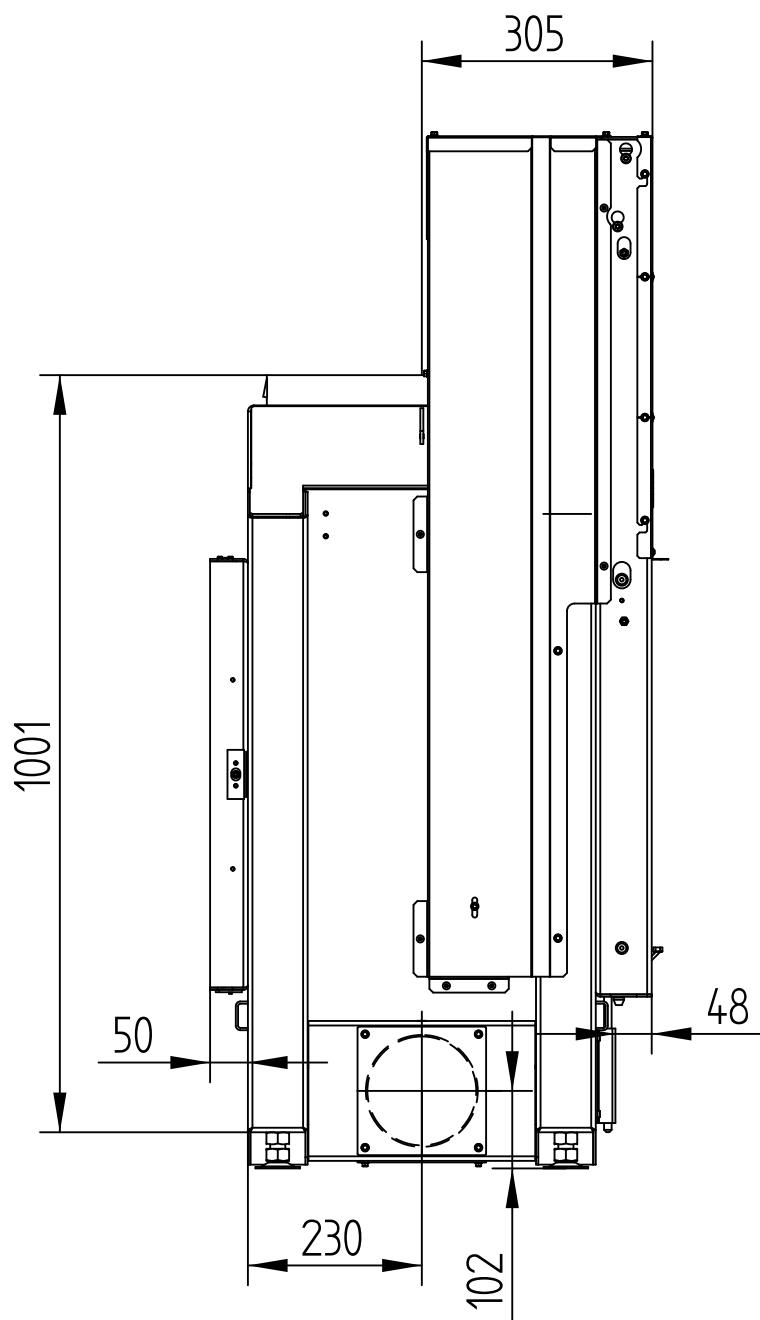


HAKA 78/57Th

WITH ADAPTOR

Technical data
Version 01/2017

M 1 : 10

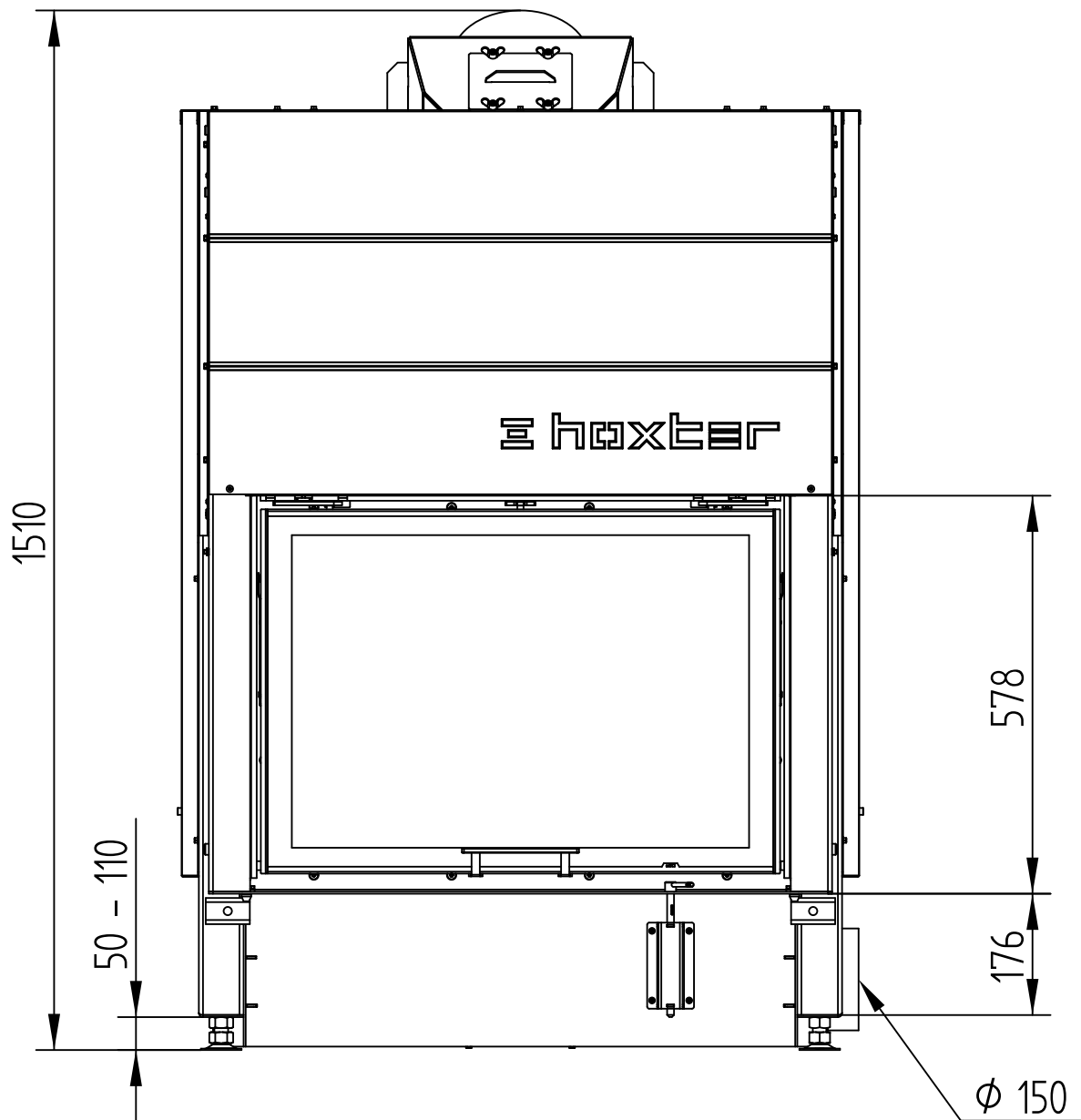


HAKA 78/57Th

WITH HOT AIR EXCHANGER

Technical data
Version 01/2017

M 1 : 10

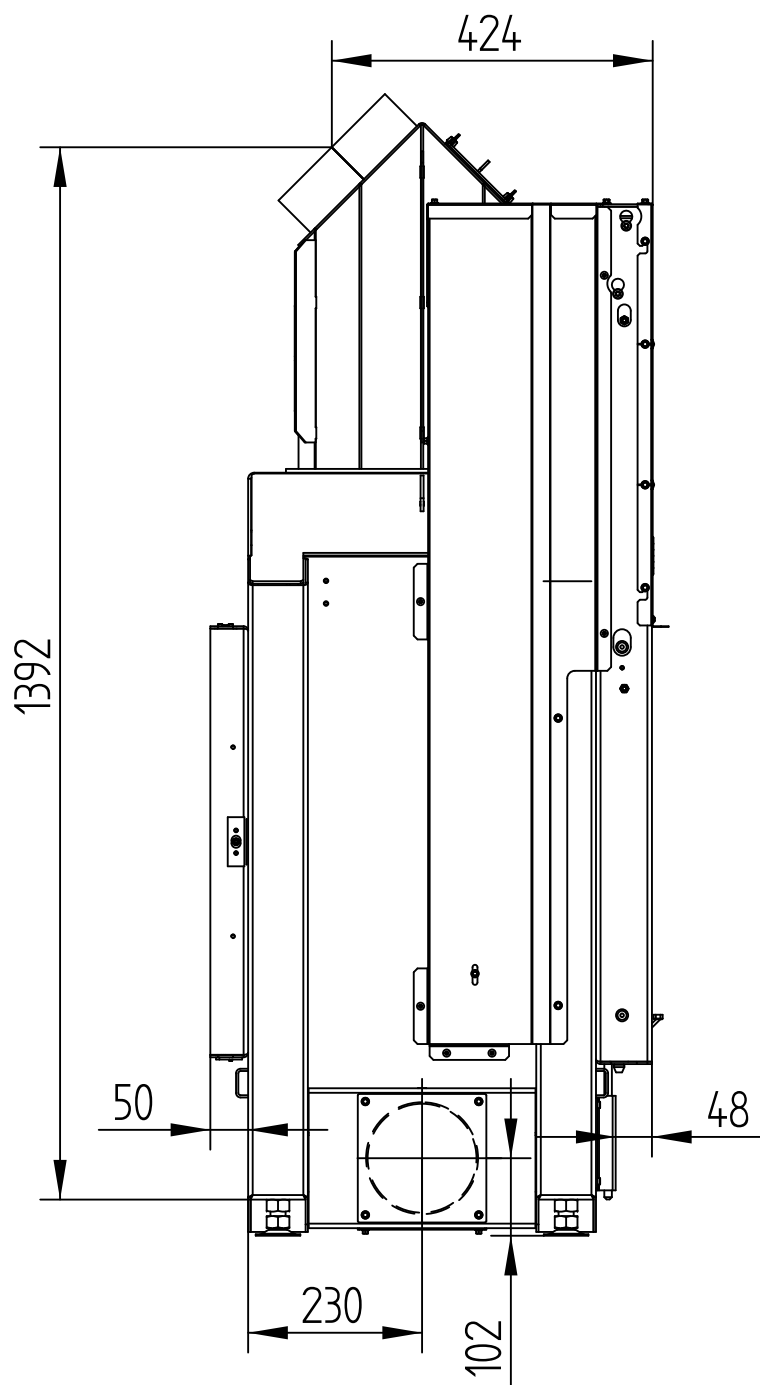


HAKA 78/57Th

WITH HOT AIR EXCHANGER

Technical data
Version 01/2017

M 1 : 10

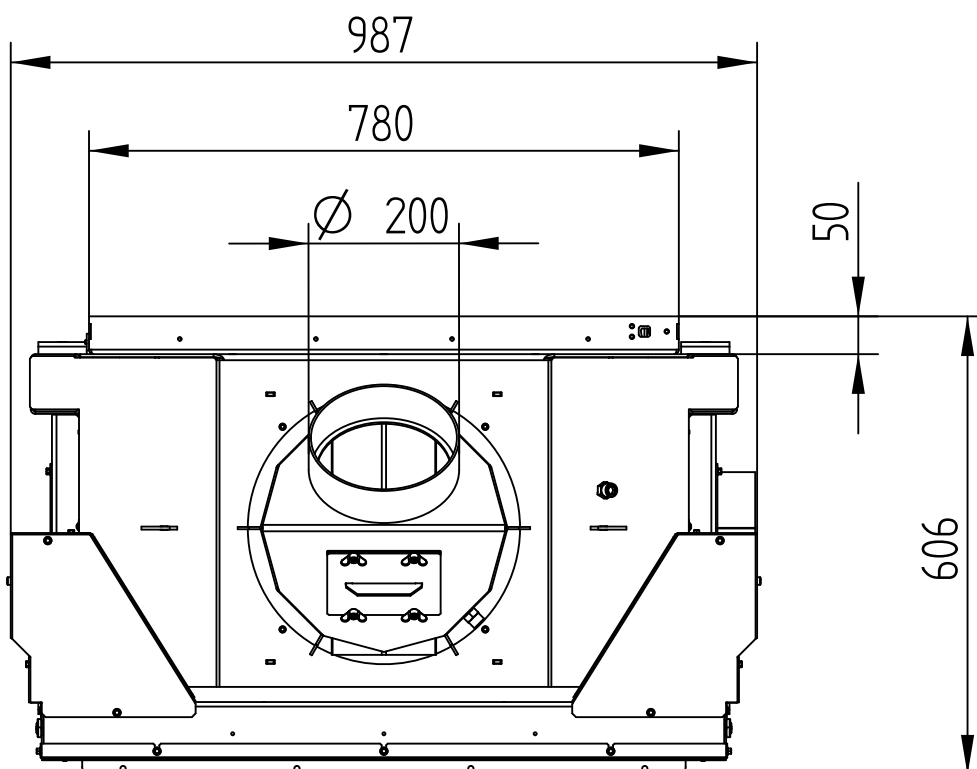


HAKA 78/57Th

WITH HOT AIR EXCHANGER

Technical data
Version 01/2017

M 1 : 10

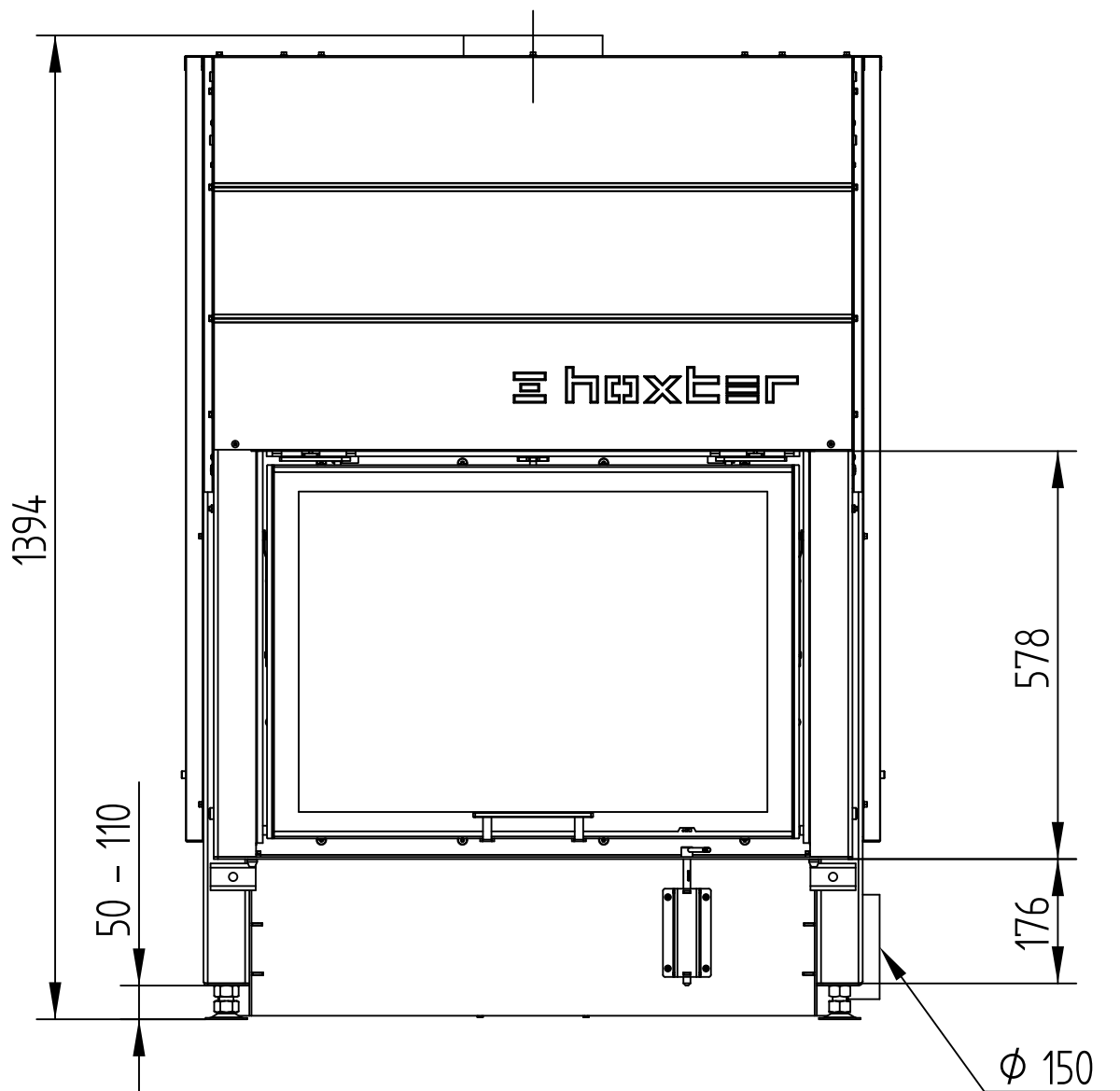


HAKA 78/57Th

Technical data
Version 01/2017

WITH HOT AIR EXCHANGER VERTICAL

M 1 : 10

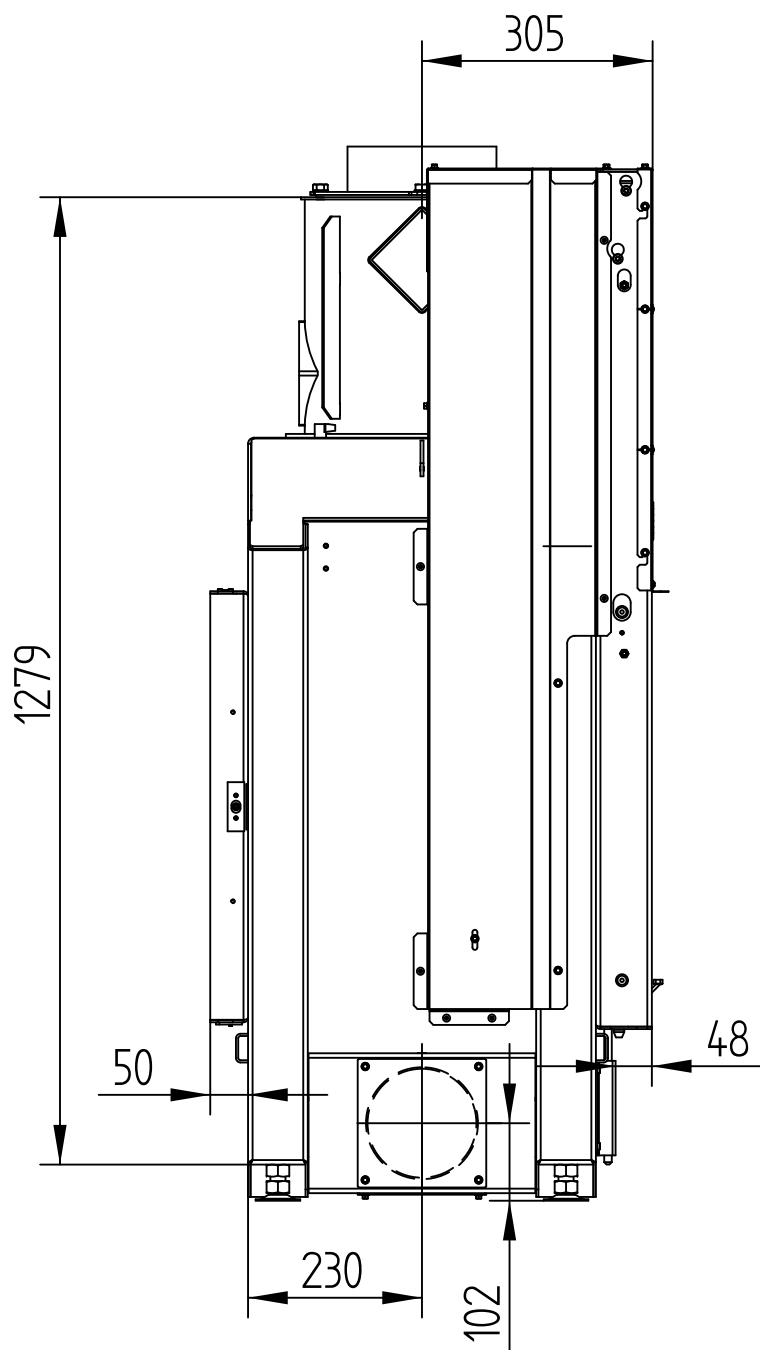


HAKA 78/57Th

WITH HOT AIR EXCHANGER VERTICAL

Technical data
Version 01/2017

M 1 : 10

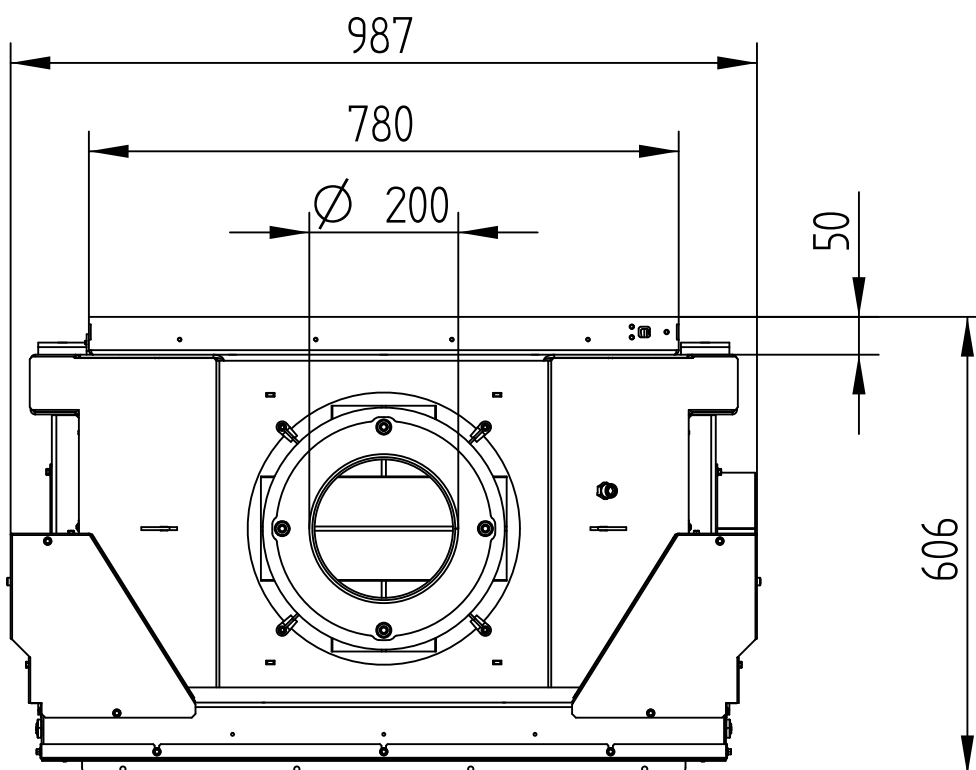


HAKA 78/57Th

WITH HOT AIR EXCHANGER

Technical data
Version 01/2017

M 1 : 10

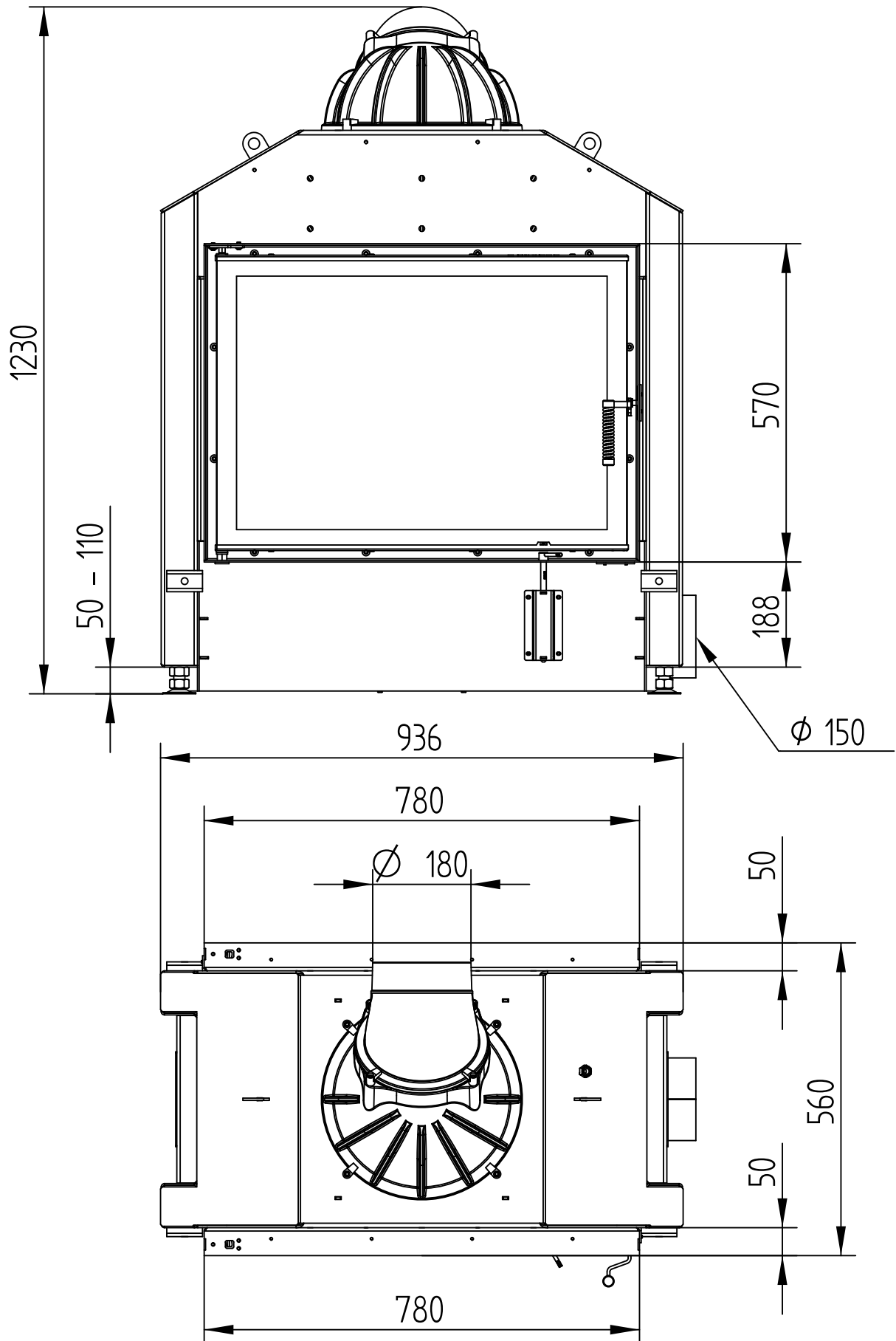


HAKA 78/57T

Technical data
Version 01/2017

WITH CUPOLA

M 1 : 10

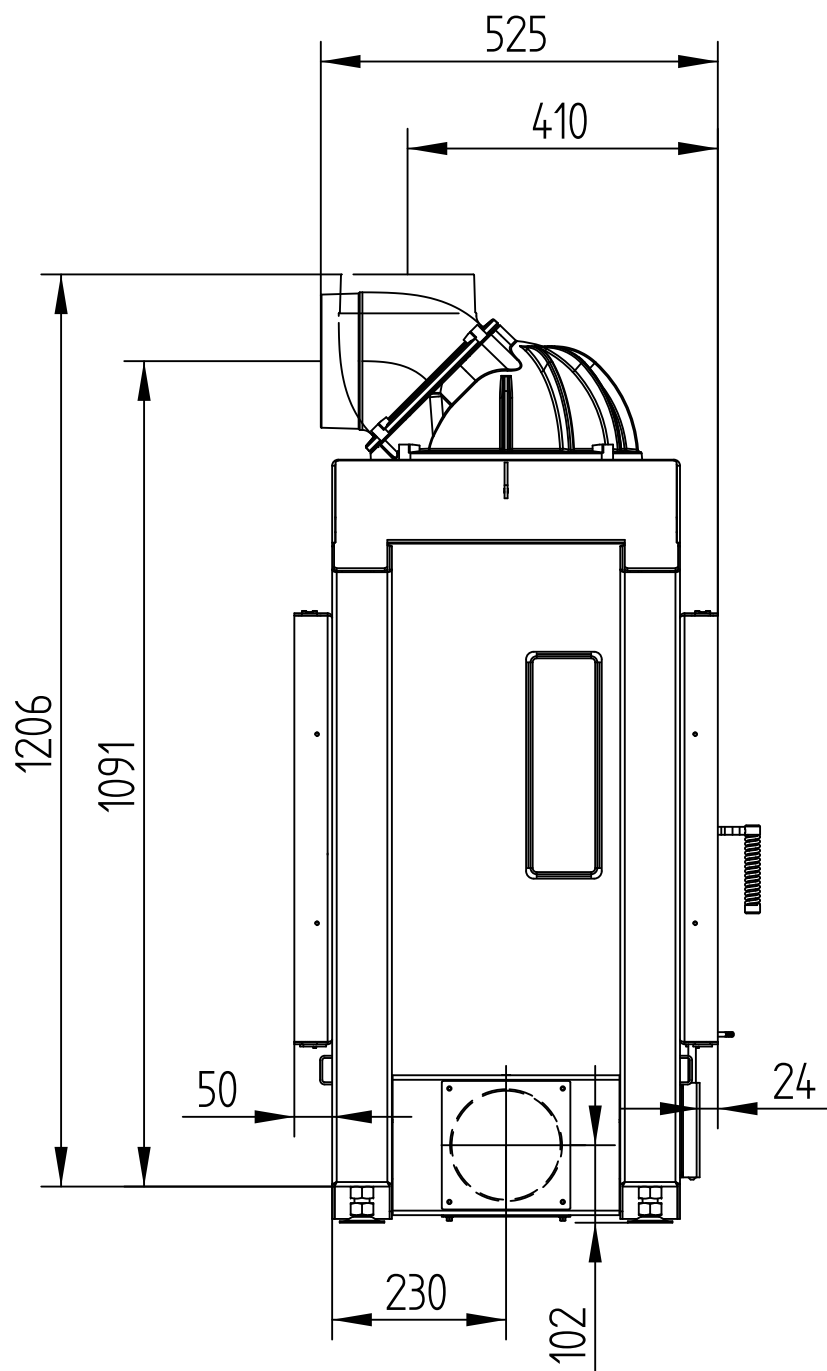


HAKA 78/57T

WITH CUPOLA

Technical data
Version 01/2017

M 1 : 10

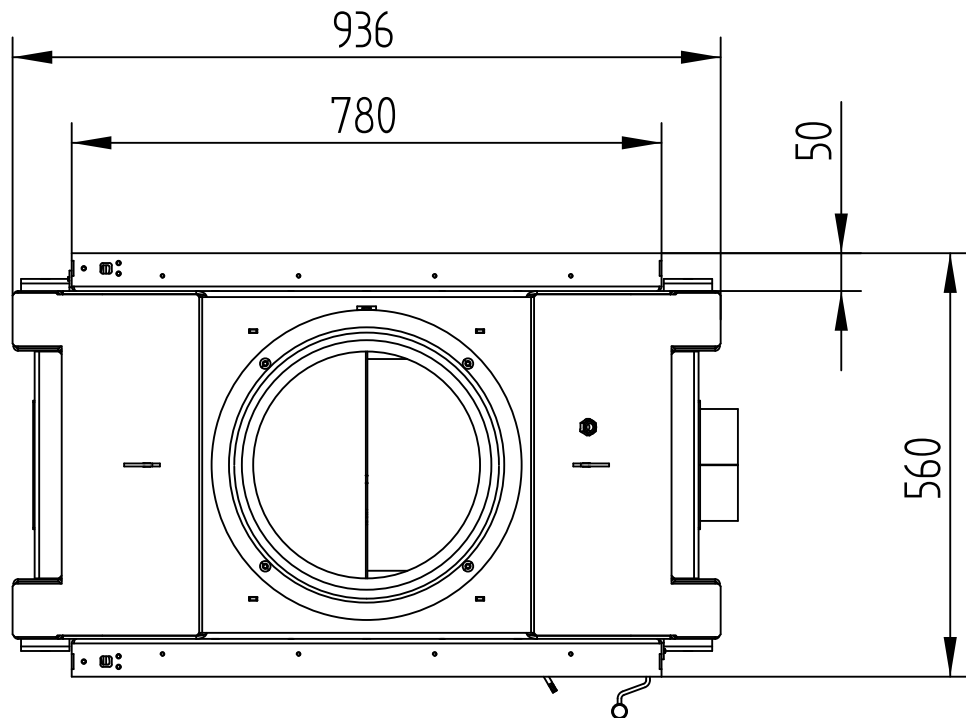
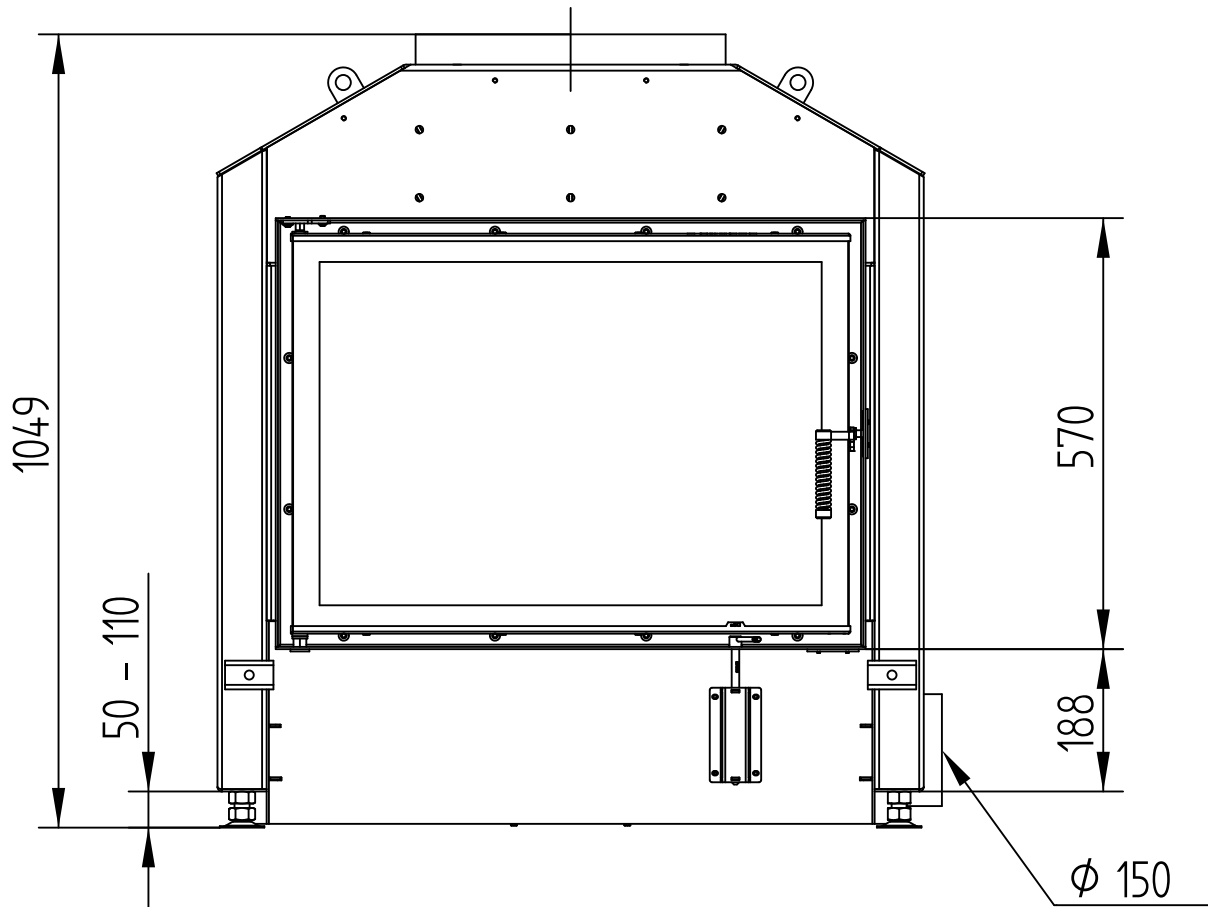


HAKA 78/57T

Technical data
Version 01/2017

WITH ADAPTOR

M 1 : 10

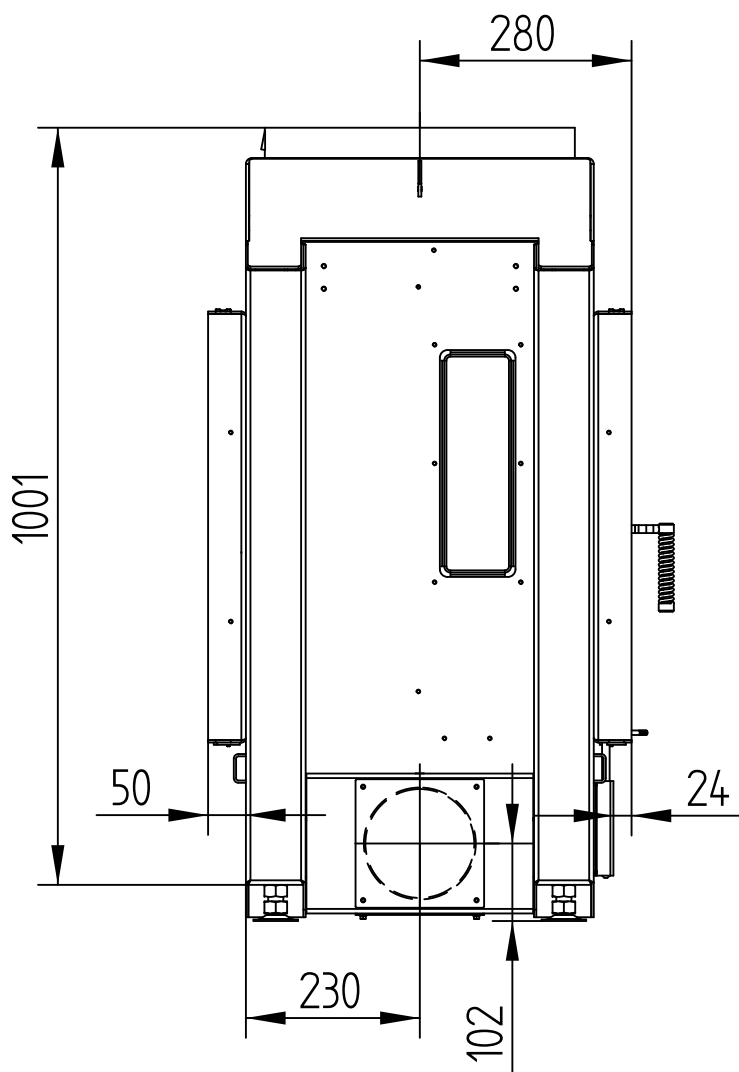


HAKA 78/57T

WITH ADAPTOR

Technical data
Version 01/2017

M 1 : 10

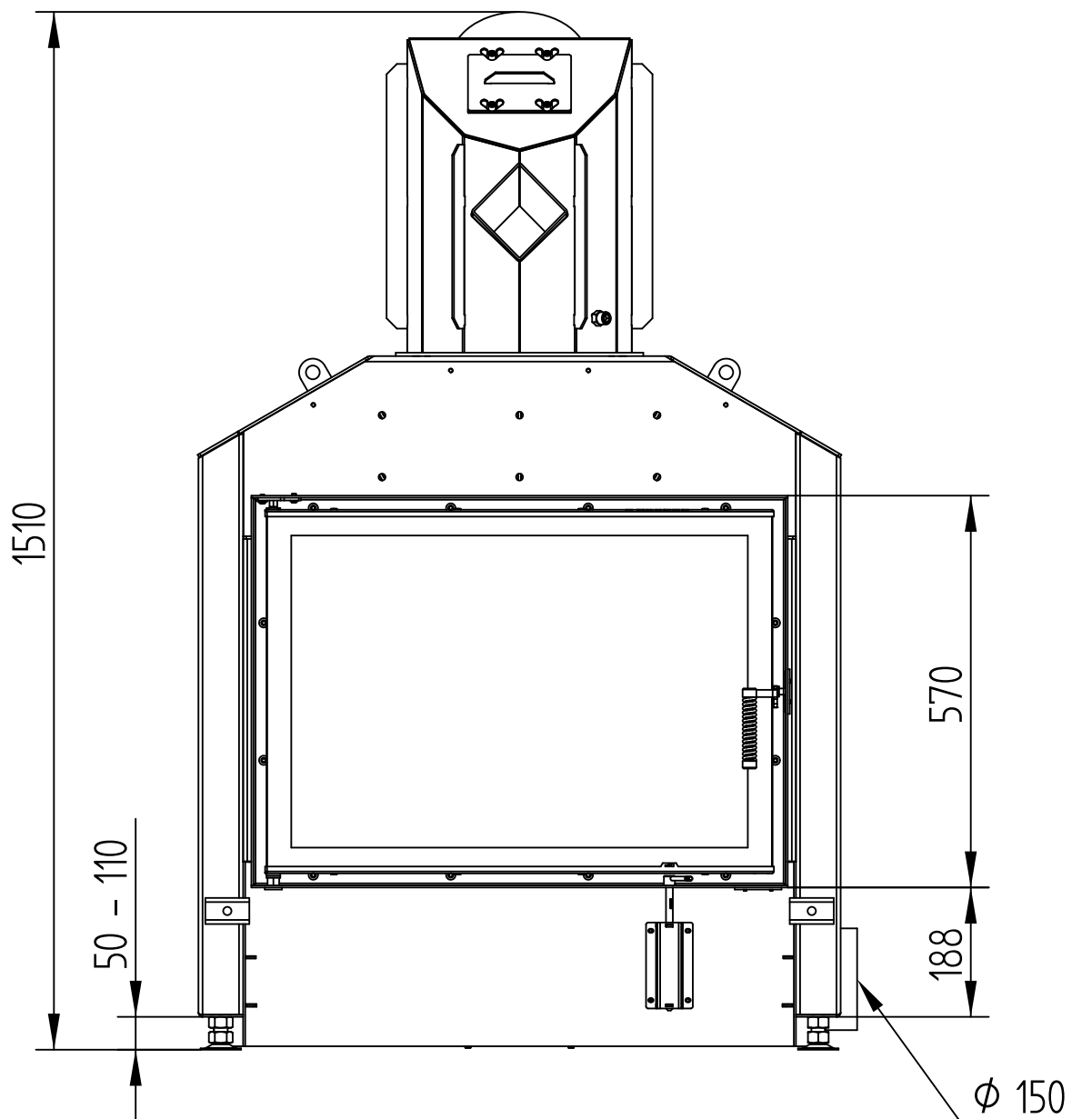


HAKA 78/57T

WITH HOT AIR EXCHANGER

Technical data
Version 01/2017

M 1 : 10

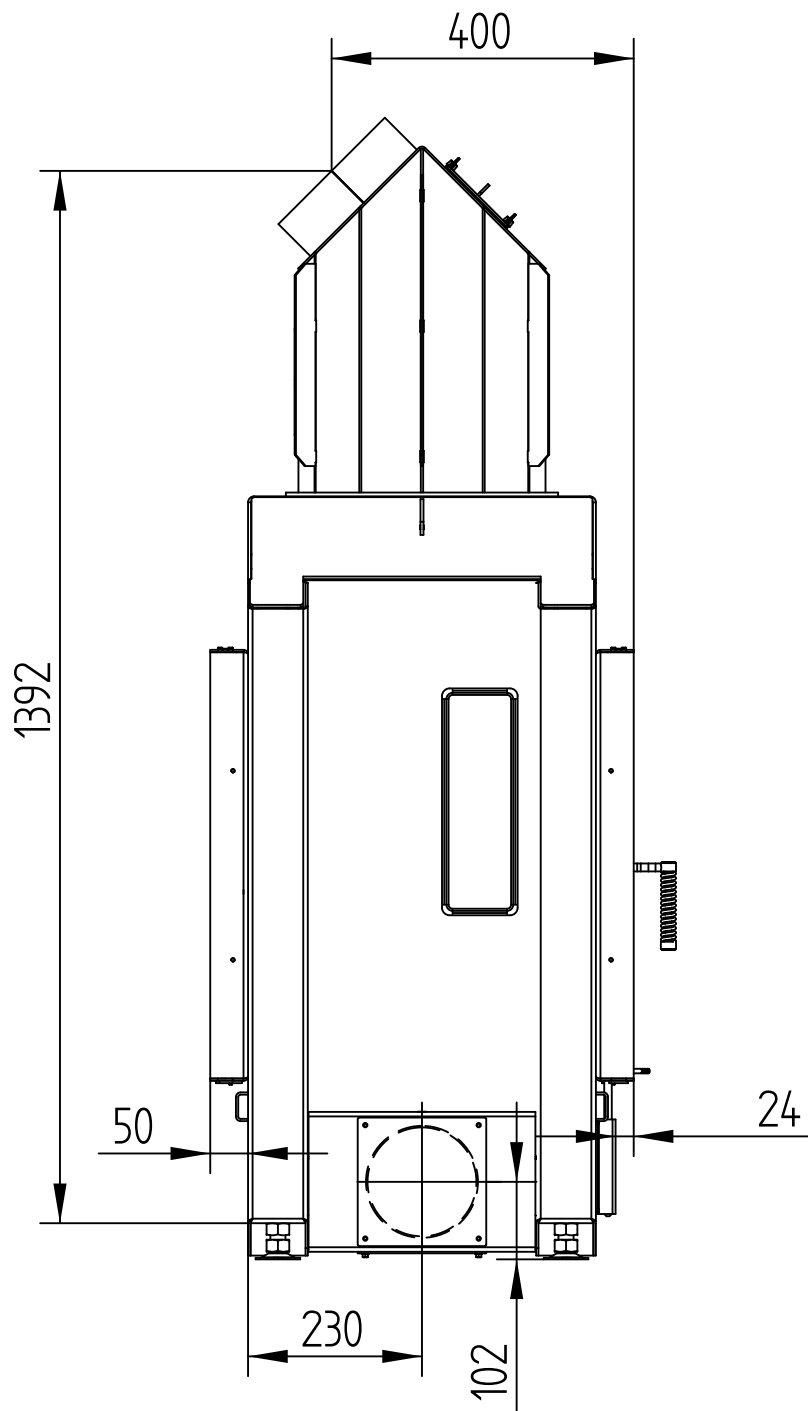


HAKA 78/57T

WITH HOT AIR EXCHANGER

Technical data
Version 01/2017

M 1 : 10

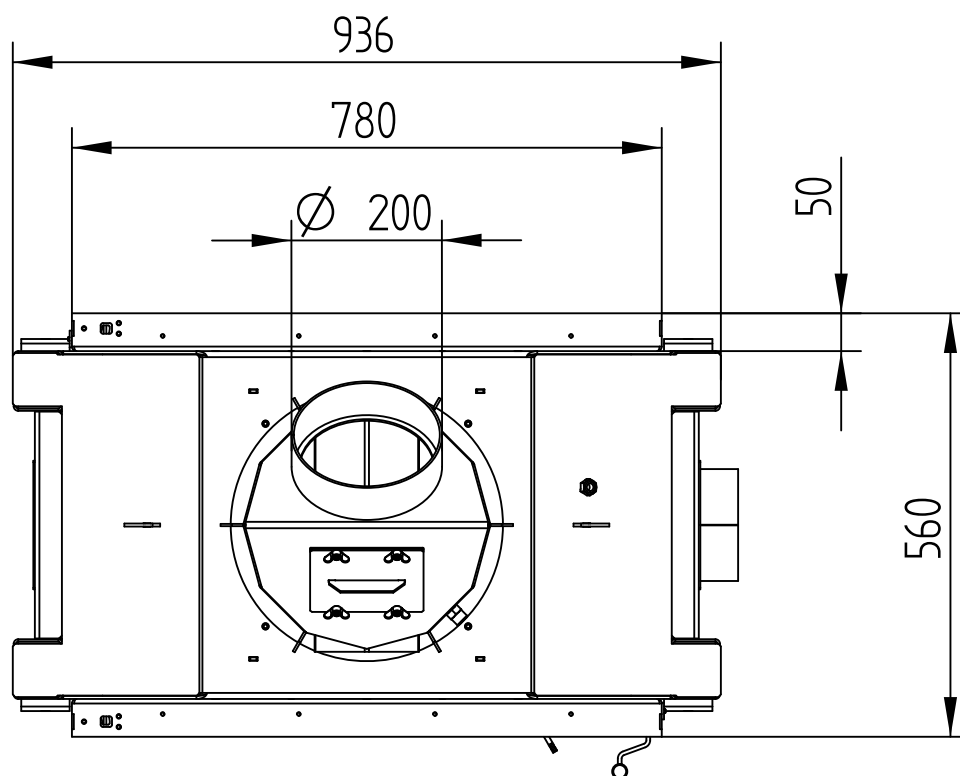


HAKA 78/57T

WITH HOT AIR EXCHANGER

Technical data
Version 01/2017

M 1 : 10

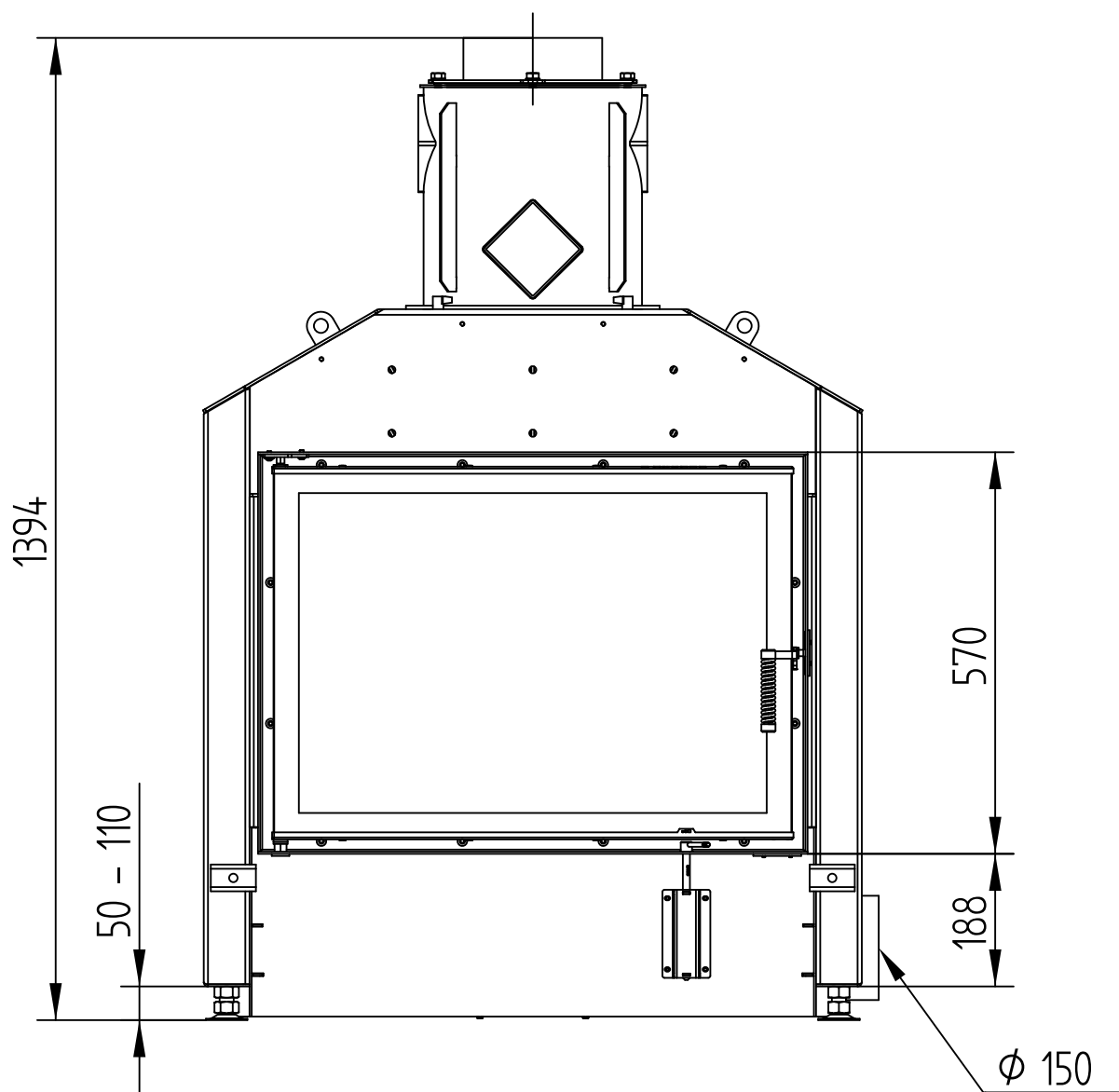


HAKA 78/57T

Technical data
Version 01/2017

WITH HOT AIR EXCHANGER VERTICAL

M 1 : 10

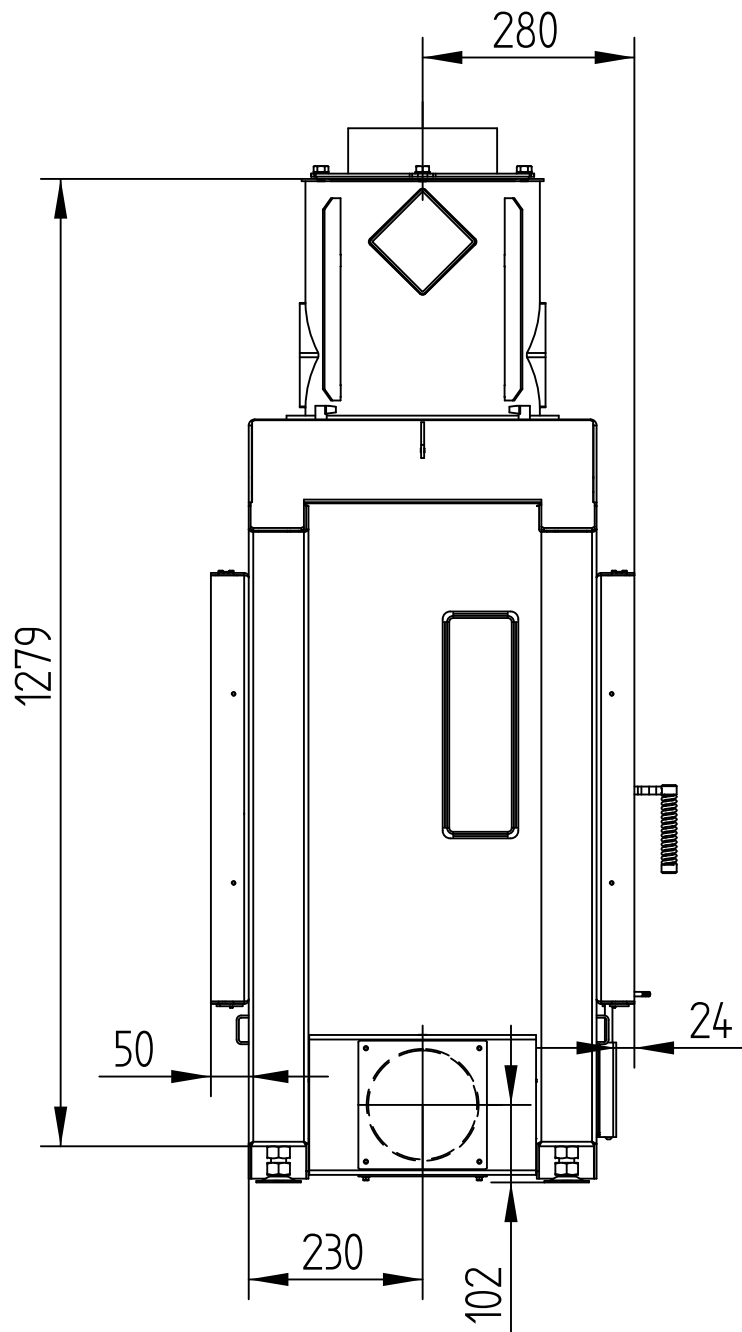


HAKA 78/57T

WITH HOT AIR EXCHANGER VERTICAL

Technical data
Version 01/2017

M 1 : 10

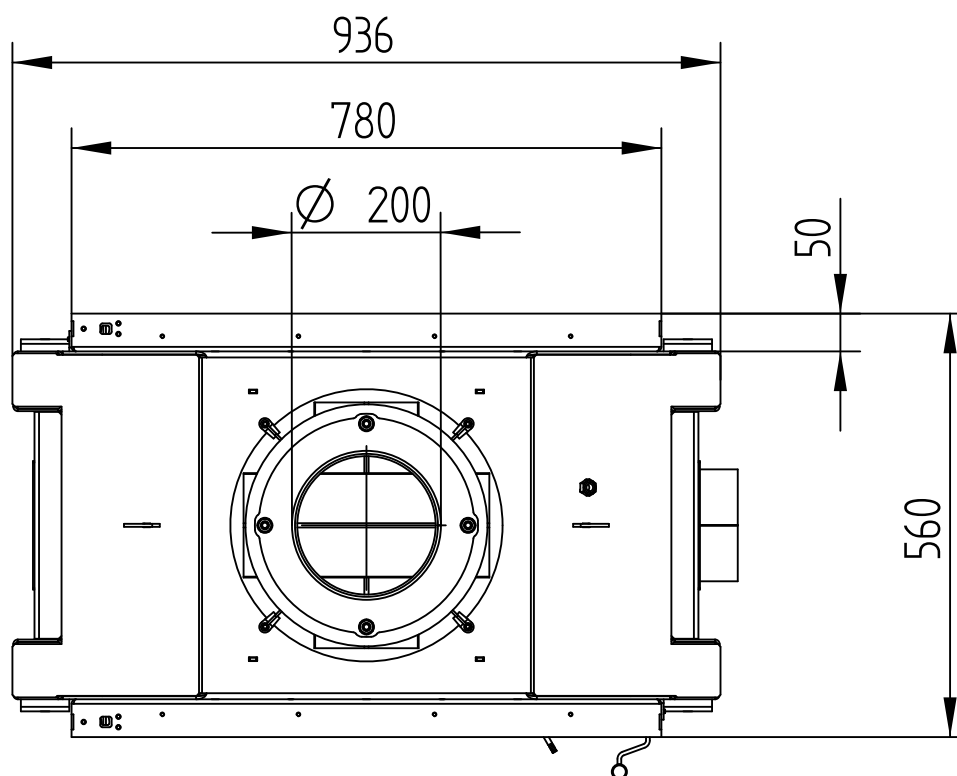


HAKA 78/57T

WITH HOT AIR EXCHANGER

Technical data
Version 01/2017

M 1 : 10



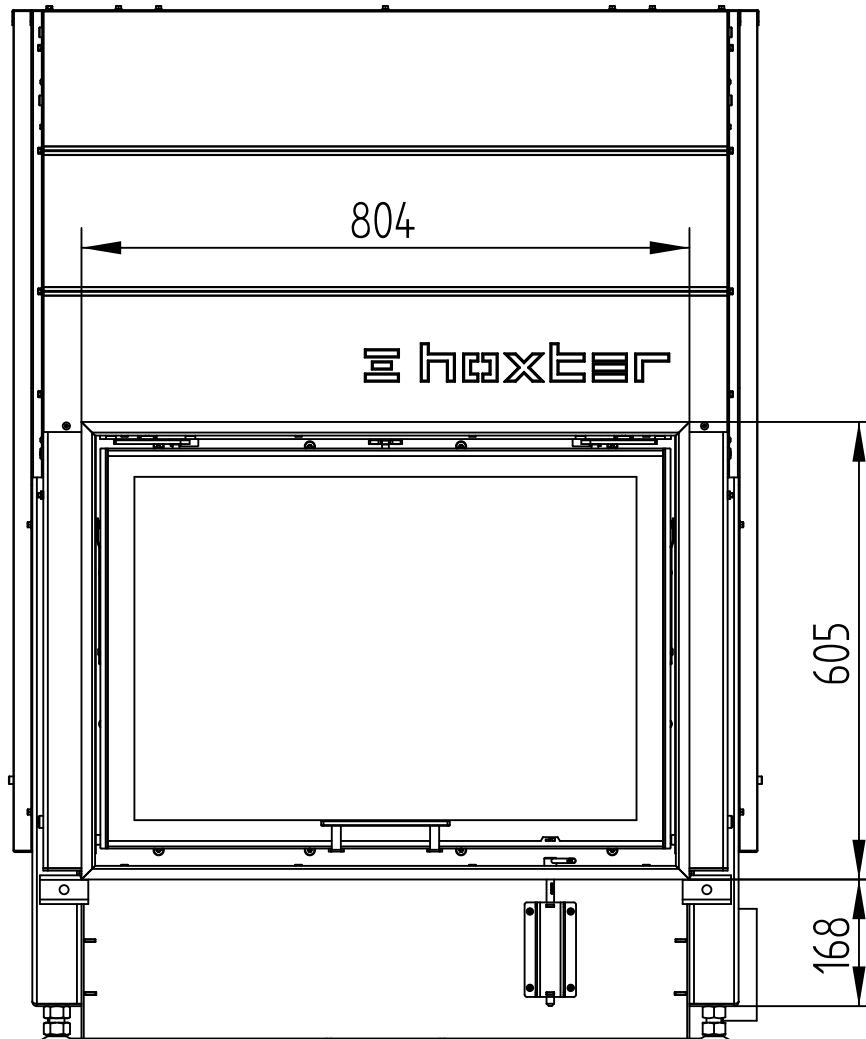
HAKA 78/57Th

Technical data
Version 01/2017

COVER FRAME 4-SIDED 1 x 90°, 50 mm

M 1 : 10

Slide-up doors



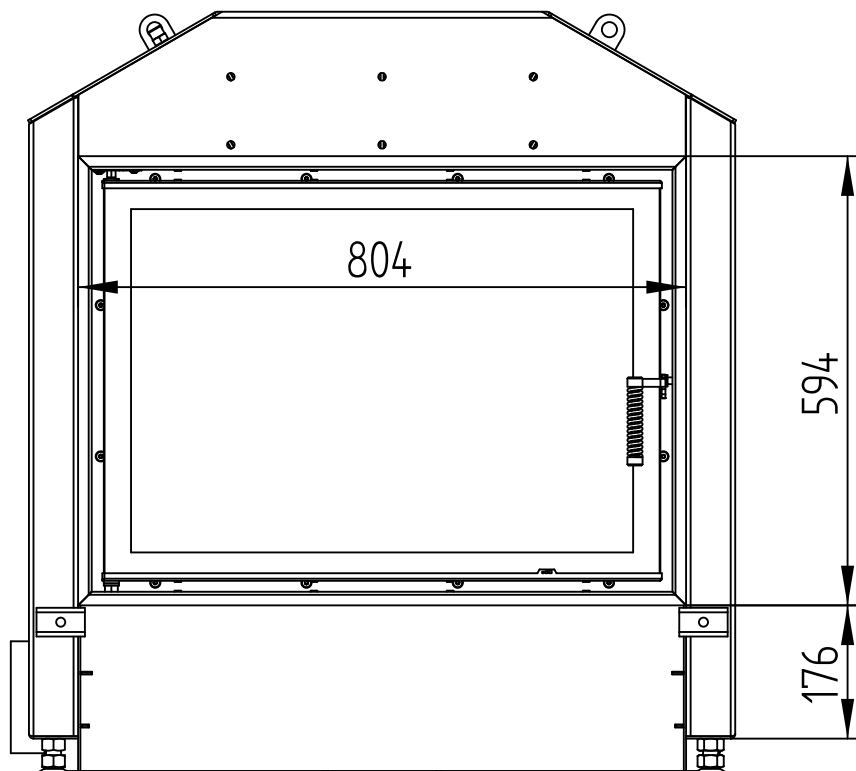
HAKA 78/57T(h)

Technical data
Version 01/2017

COVER FRAME 4-SIDED 1 x 90°, 50 mm

M 1 : 10

Hinged doors

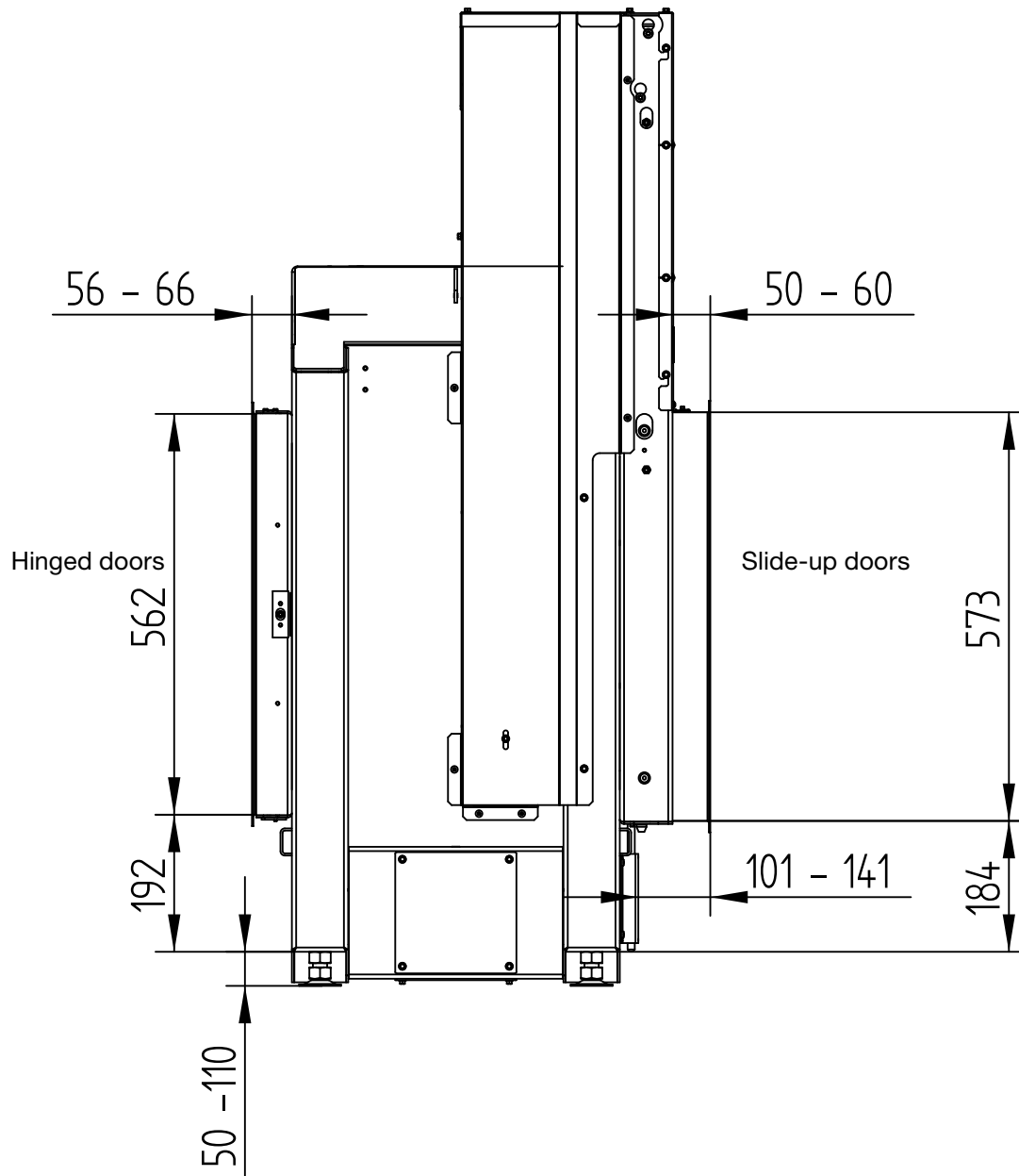


HAKA 78/57T(h)

Technical data
Version 01/2017

COVER FRAME 4-SIDED 1 x 90°, 50 mm

M 1 : 10

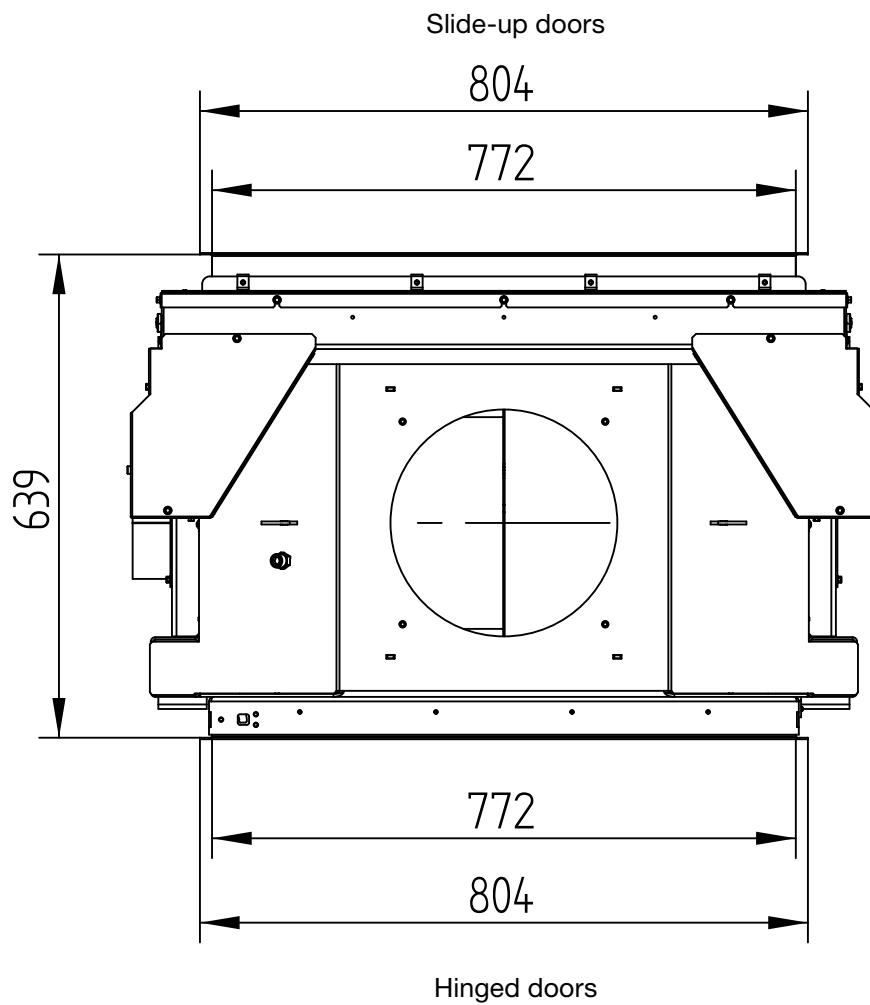


HAKA 78/57T(h)

COVER FRAME 4-SIDED 1 x 90°, 50 mm

Technical data
Version 01/2017

M 1 : 10



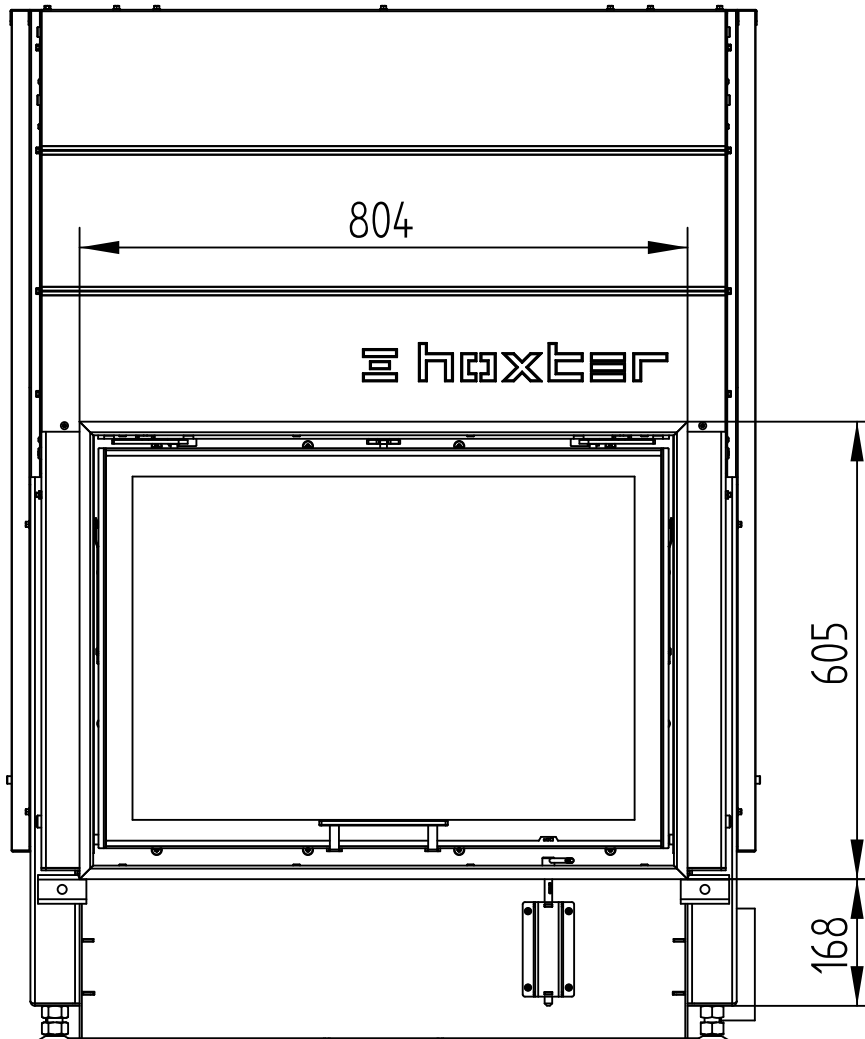
HAKA 78/57Th

Technical data
Version 01/2017

COVER FRAME 4-SIDED 1 x 90°, 80 mm

M 1 : 10

Slide-up doors



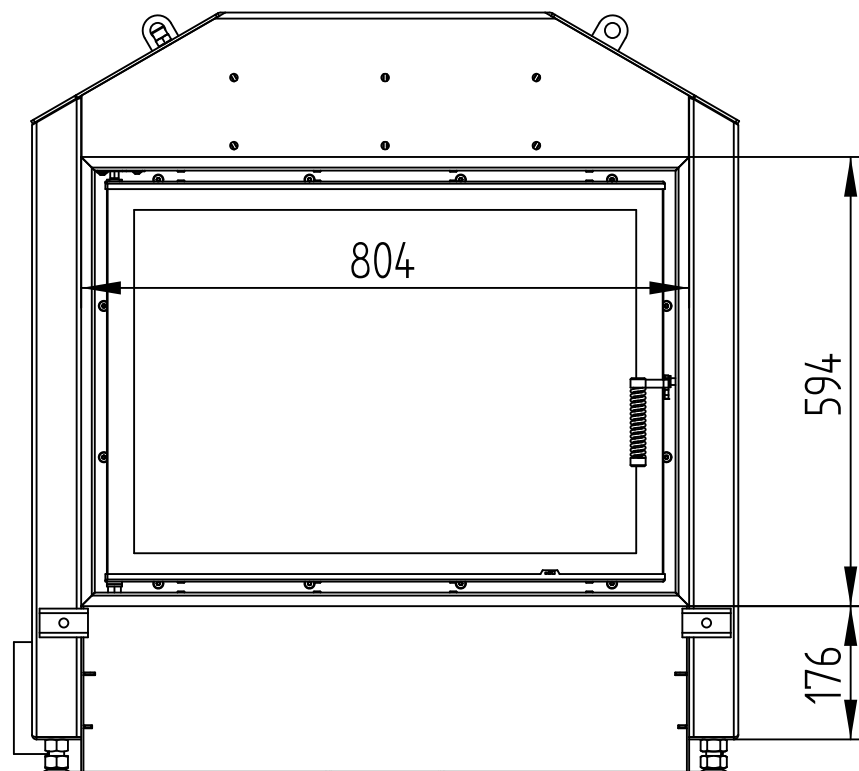
HAKA 78/57T(h)

Technical data
Version 01/2017

COVER FRAME 4-SIDED 1 x 90°, 80 mm

M 1 : 10

Hinged doors

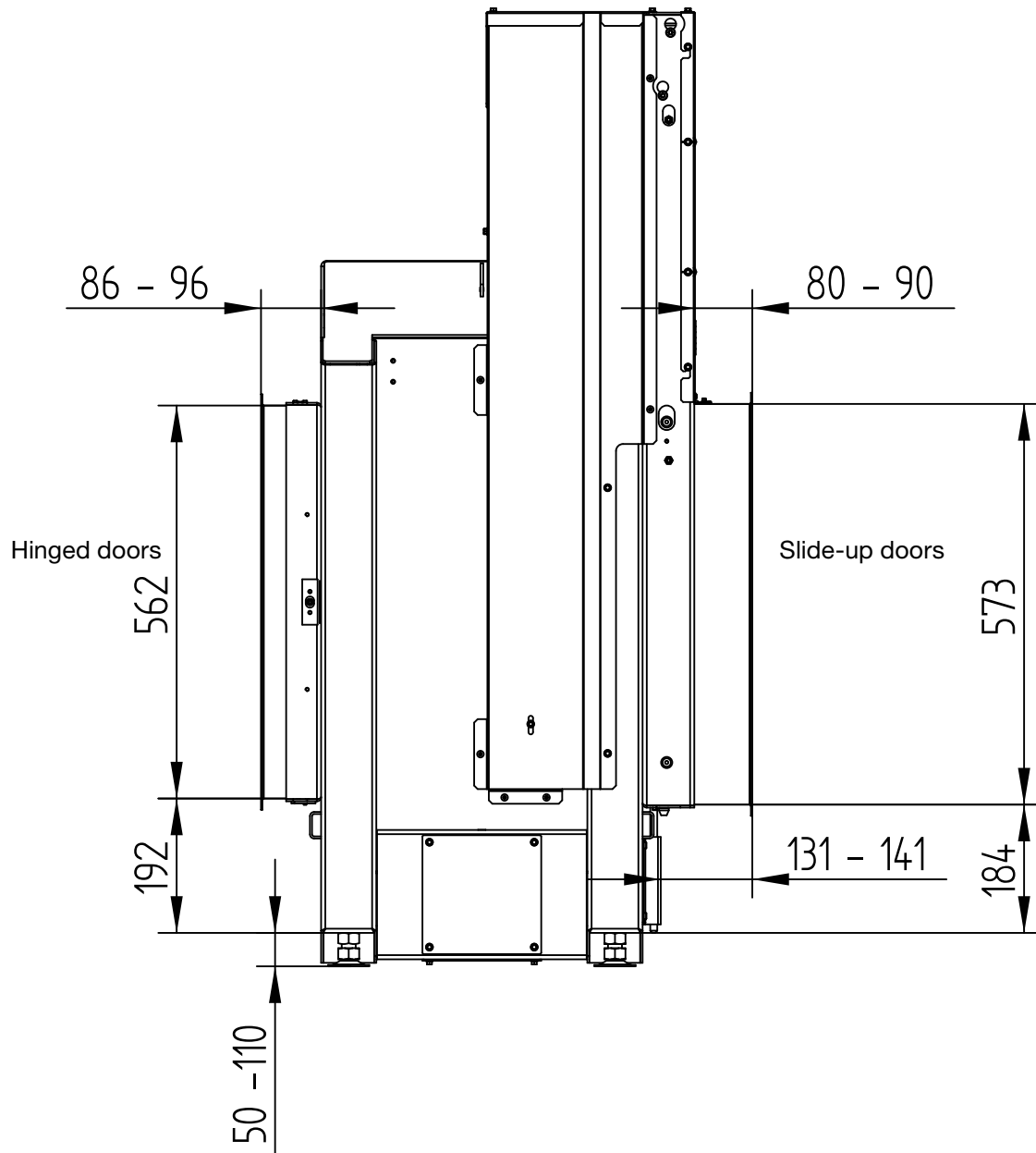


HAKA 78/57T(h)

Technical data
Version 01/2017

COVER FRAME 4-SIDED 1 x 90°, 80 mm

M 1 : 10

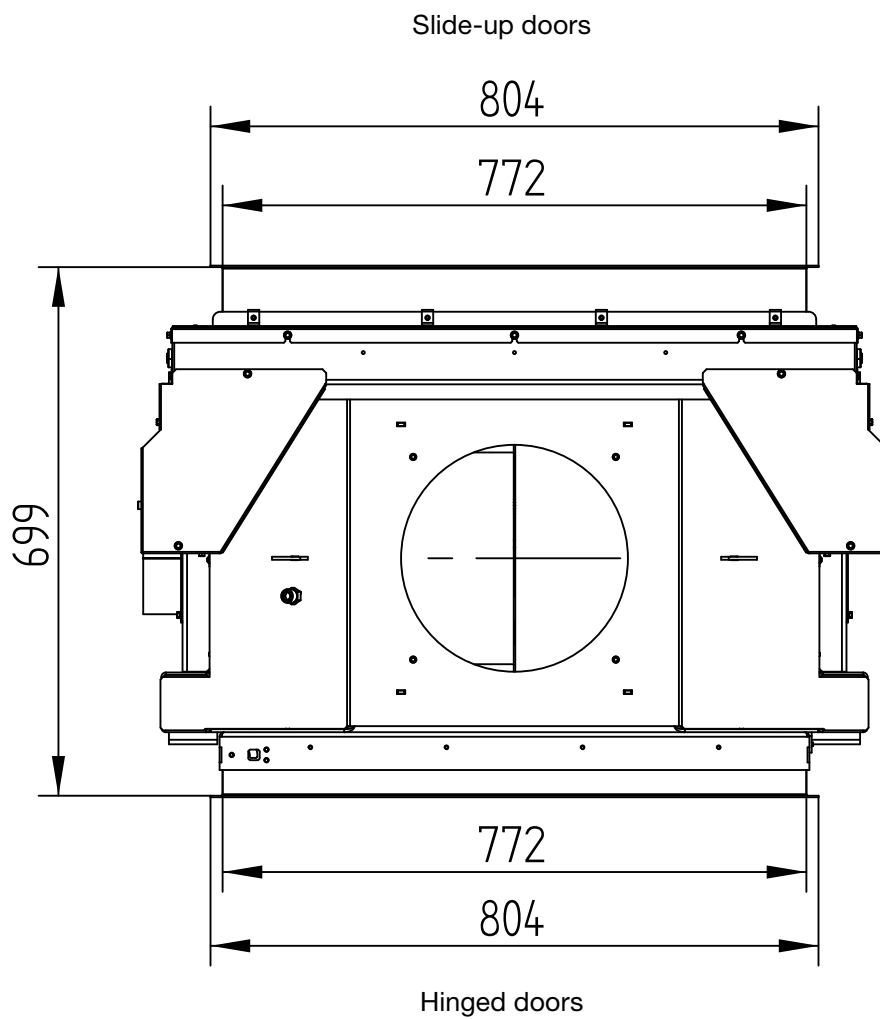


HAKA 78/57T(h)

COVER FRAME 4-SIDED 1 x 90°, 80 mm

Technical data
Version 01/2017

M 1 : 10



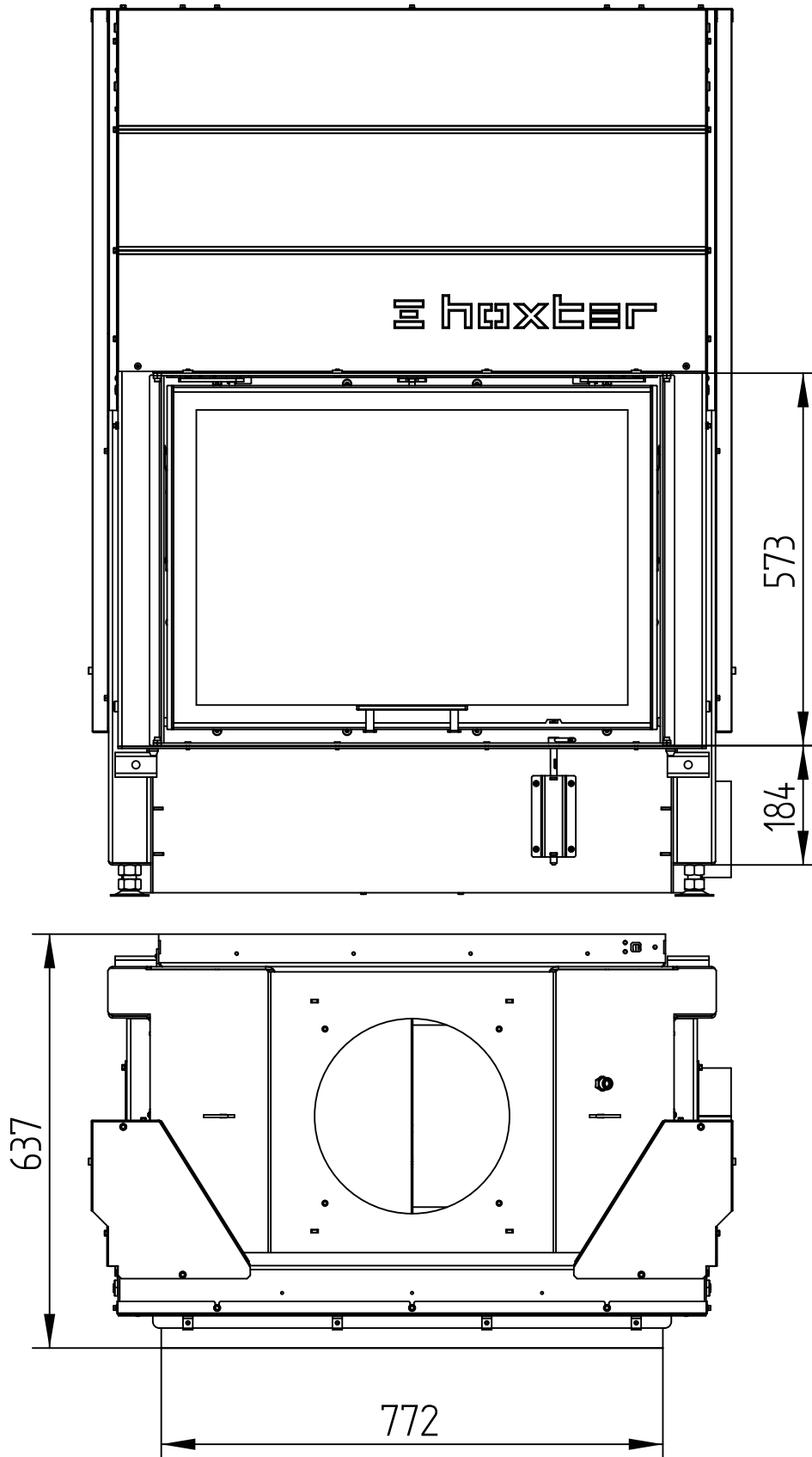
HAKA 78/57Th

Technical data
Version 01/2017

BUILD-ON FRAME 4-SIDED, 50 mm

M 1 : 10

Slide-up doors



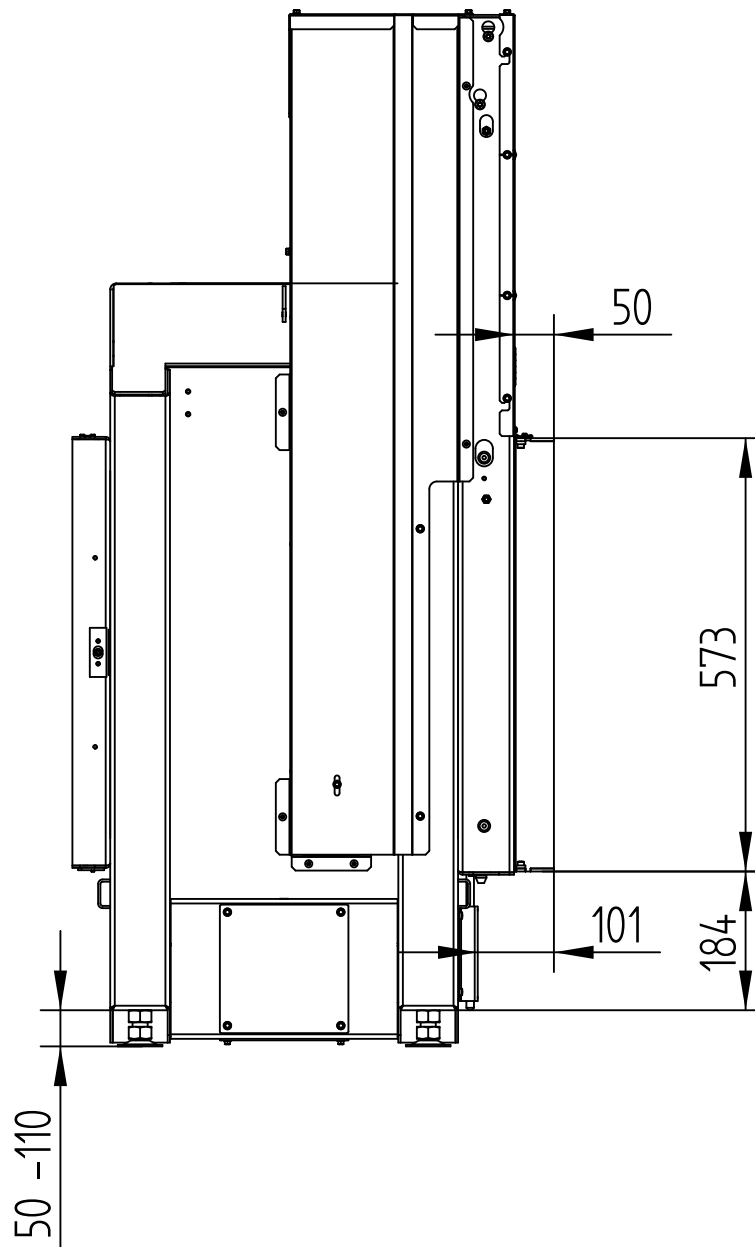
HAKA 78/57Th

Technical data
Version 01/2017

BUILD-ON FRAME 4-SIDED, 50 mm

M 1 : 10

Slide-up doors

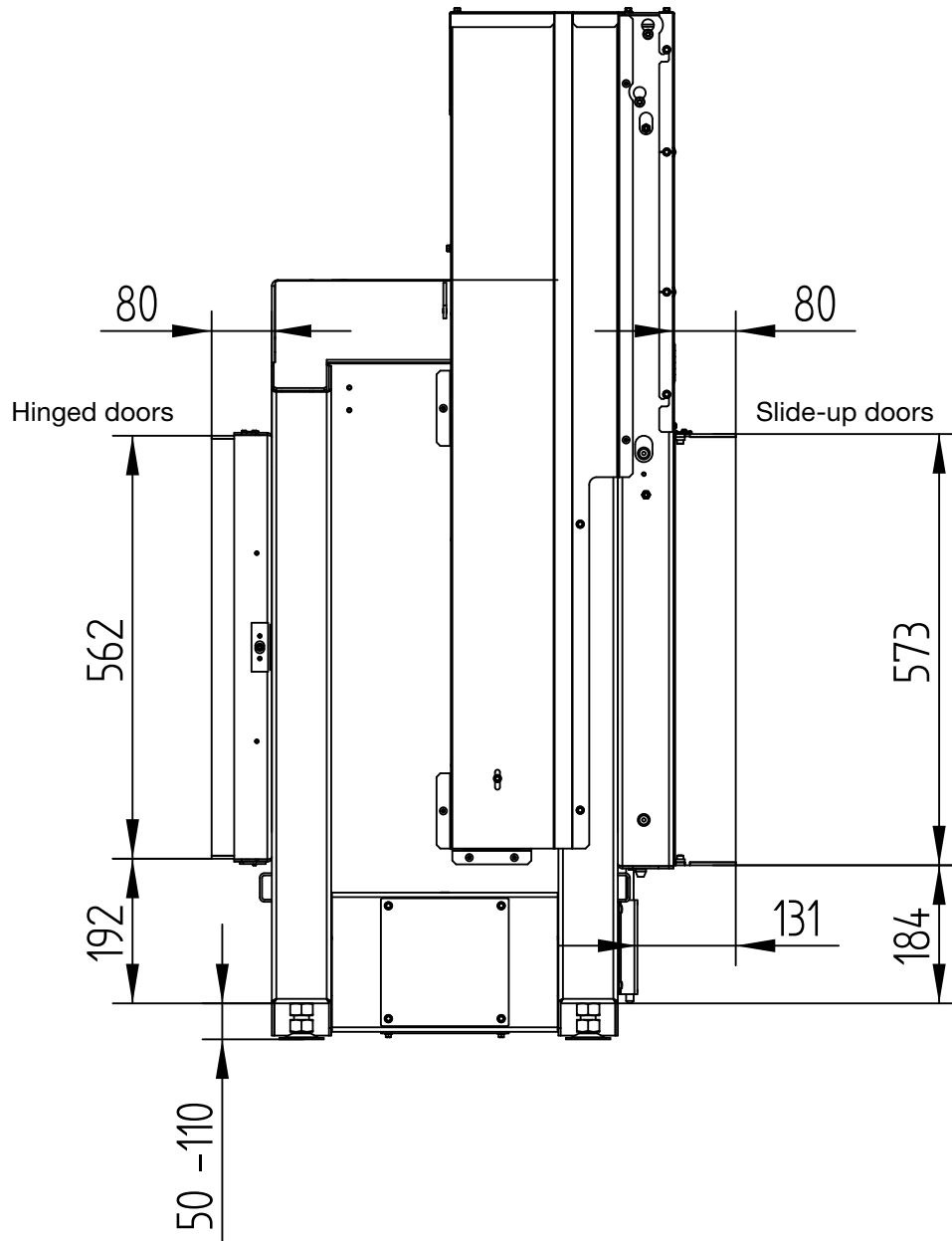


HAKA 78/57T(h)

Technical data
Version 01/2017

BUILD-ON FRAME 4-SIDED, 80 mm

M 1 : 10



HAKA 78/57T(h)

BUILD-ON FRAME 4-SIDED, 80 mm

Technical data
Version 01/2017

M 1 : 10

